

# Scissor Leg Table Project

Paint Grade Maple w/ Lacquer Finish



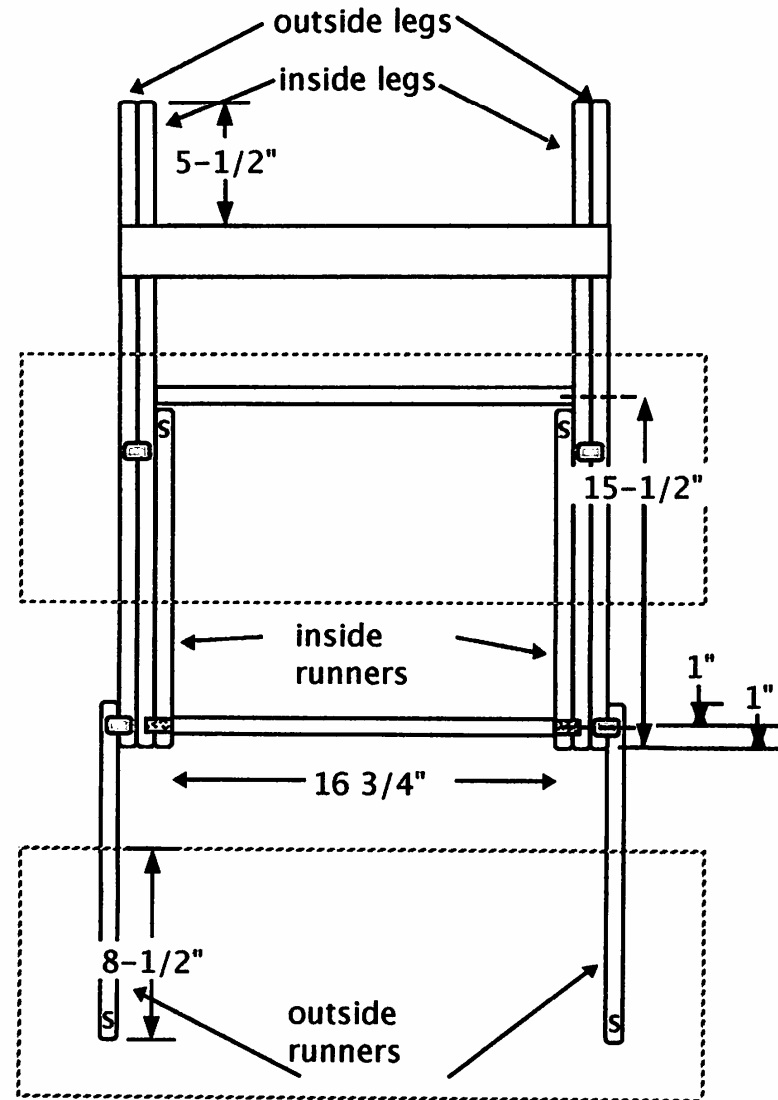
Scissor Leg Table - Folded for Storage






Scissor Leg Table - Open for Use

# Table Assembly Detail

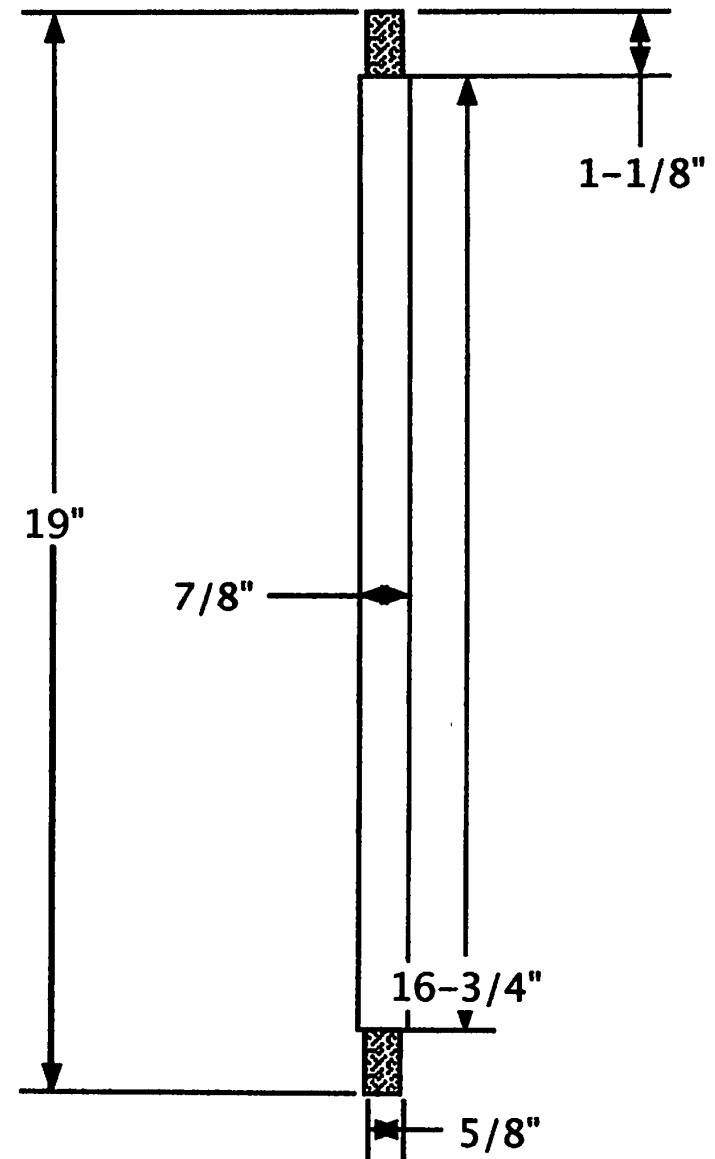
Assembly as viewed from below the table



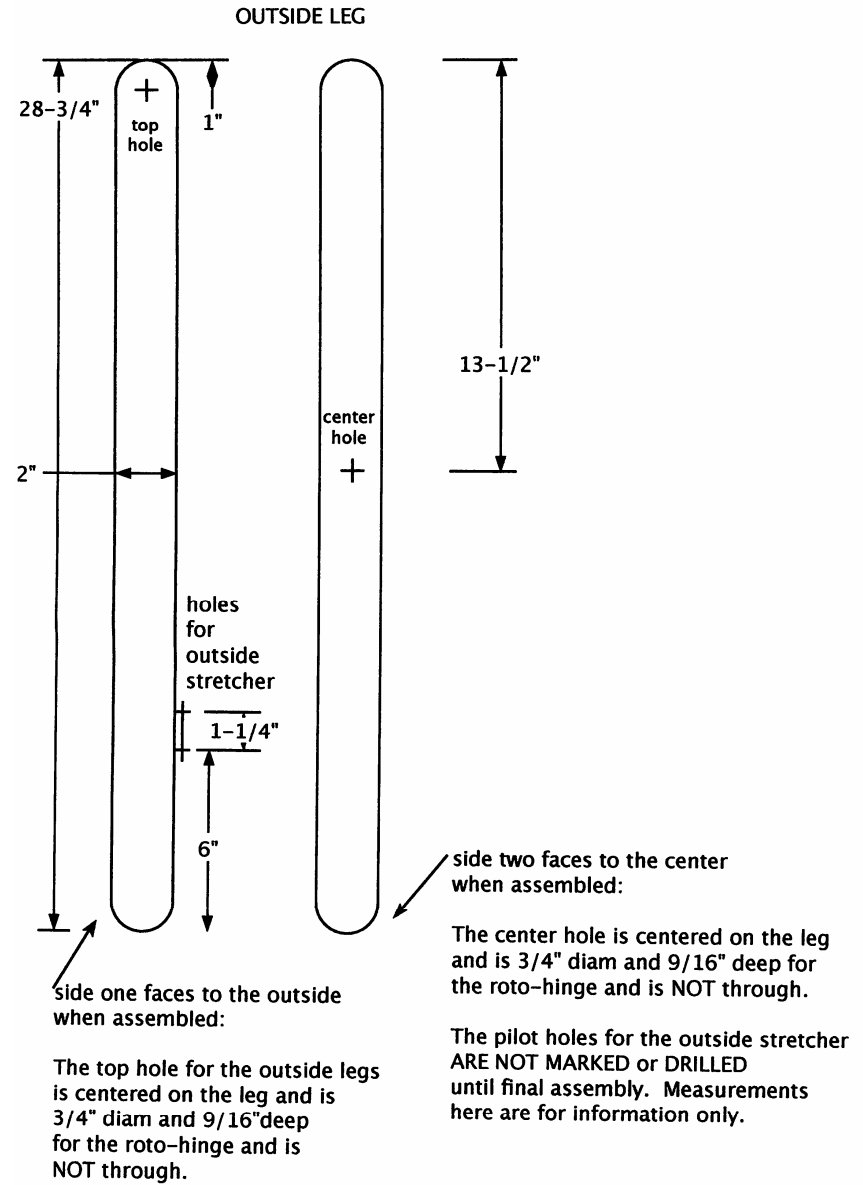
-  - pivot hinge
-  - turned end of handle
-  - sloped end of runner

# Handle Detail

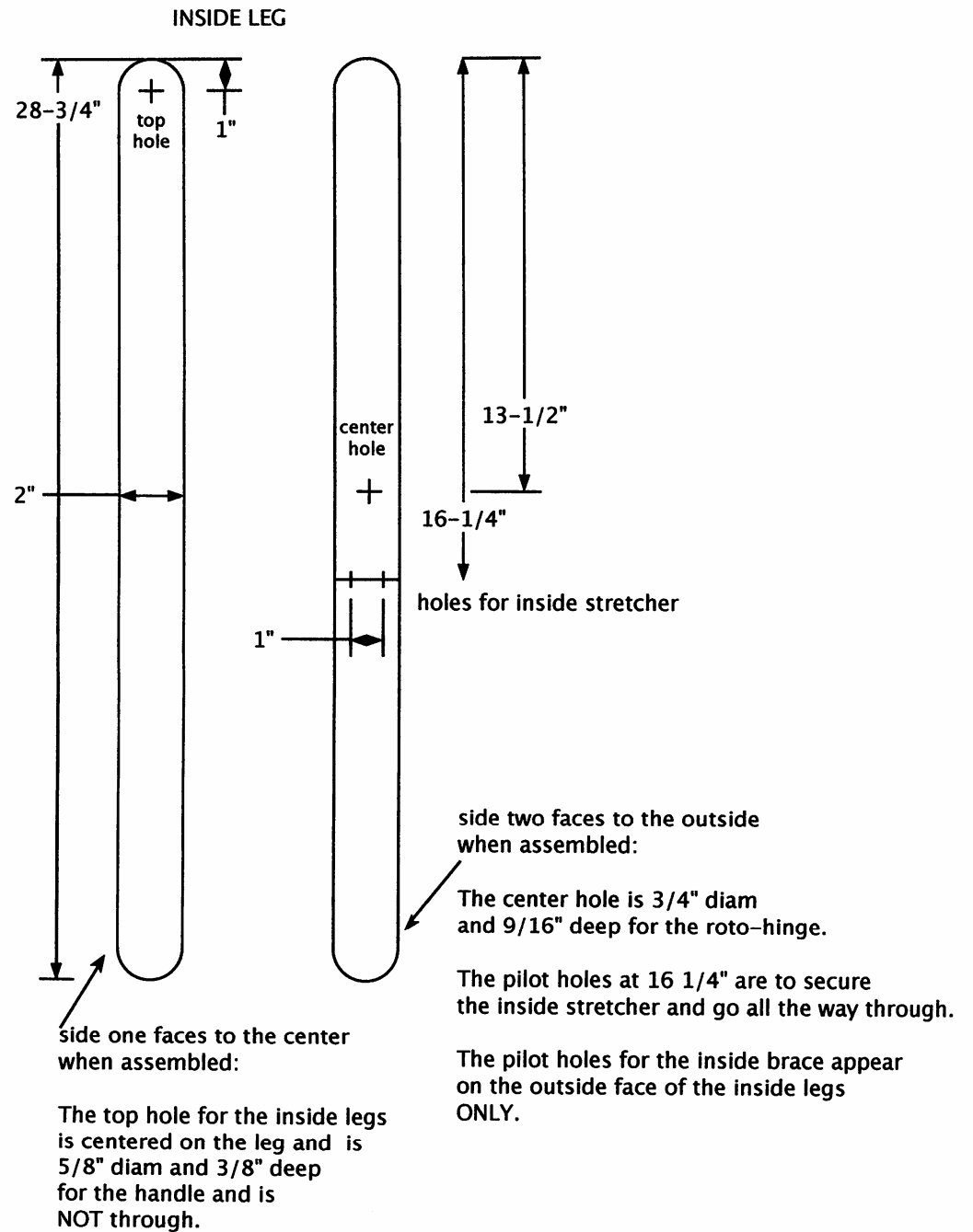
The 1-1/8" measurement is the critical one; if the handle is slightly longer or shorter, this will only affect the lengths of the stetchers.



# Outside Leg Detail



# Inside Leg Detail

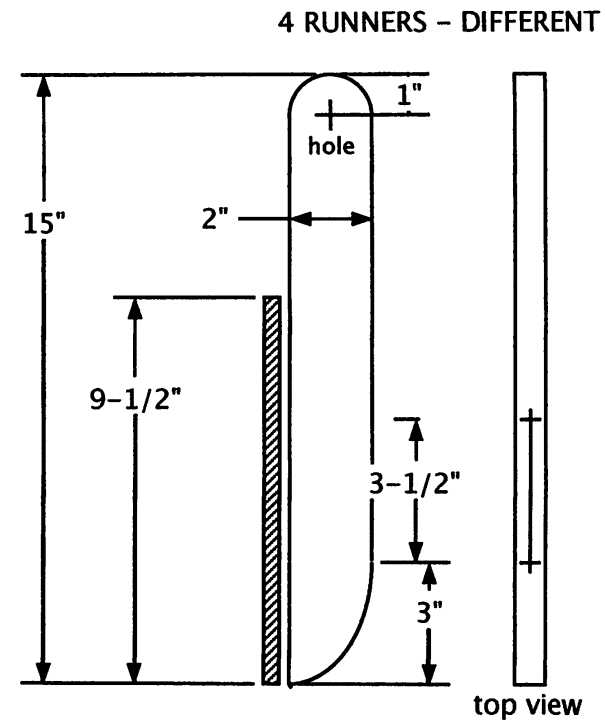


# Runner Detail

The two inside runners have 5/8" hole all the way through for the handle.

The two outside runners have 3/4" hole 9/16" deep for roto-hinges – opposite sides! (one left and one right)

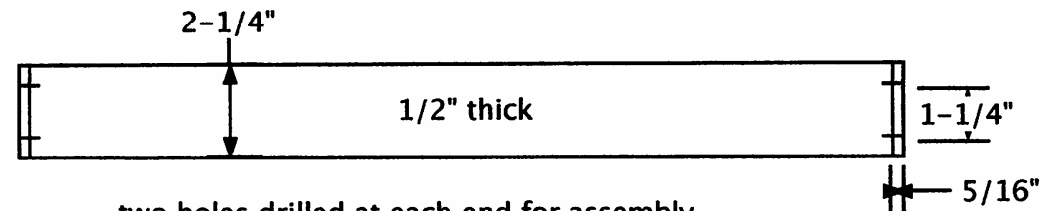
All runners have two screw holes drilled (stepped for screw head stops) all the way through.



runners – 1/8" roundover,  
EXCEPT in shaded area,  
which is also protected  
from finish.

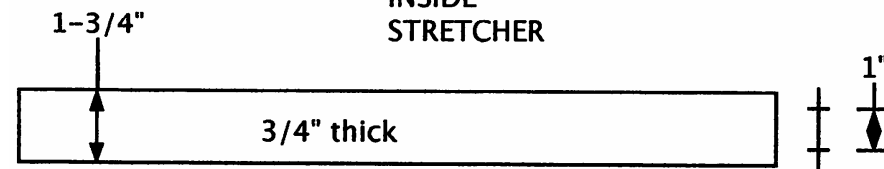
# Stretcher Detail

## OUTSIDE STRETCHER



two holes drilled at each end for assembly to front of outside legs – the holes are 5/16" from the ends because the outside stretcher is cut shorter so that it doesn't cover the roundovers on the legs. Protect the back side with tape 1/2" from each end to avoid finishing. 1/8" roundover on all long edges EXCEPT on back side of outside stretcher where it touches legs, about 7/8" from each end. ALSO roundover ends of outside stretcher front face (not back face).

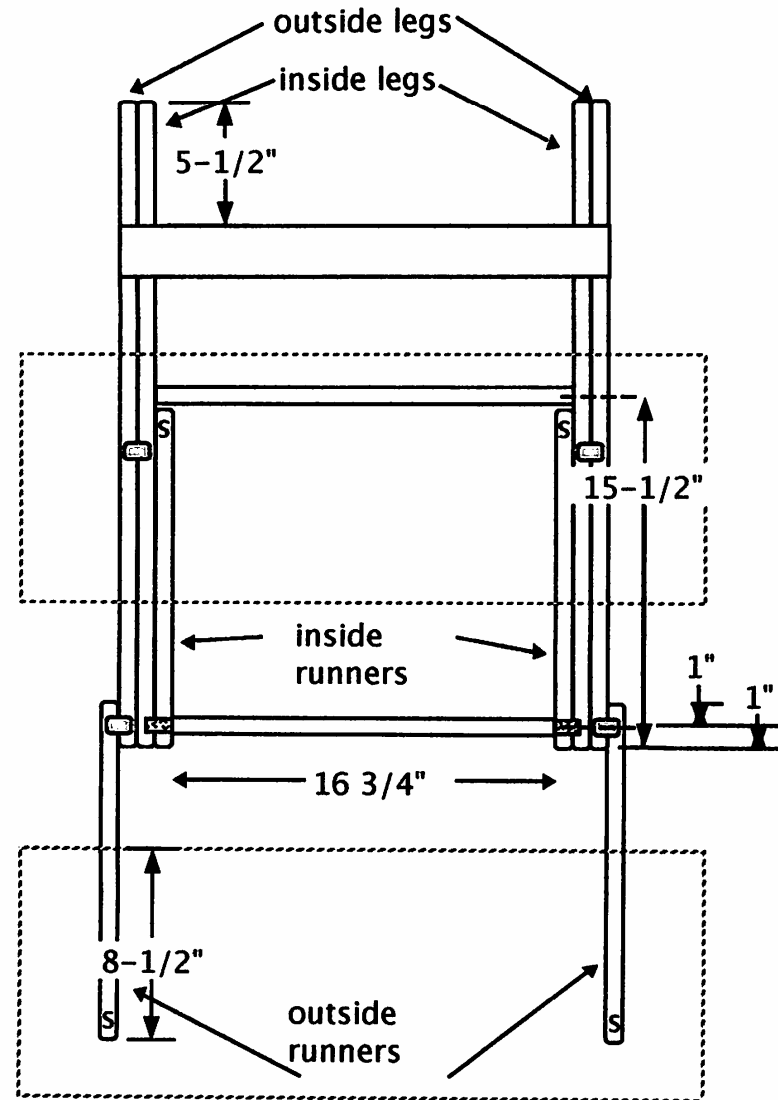
## INSIDE STRETCHER






two holes drilled in each end for assembly between inside legs roundover all four long edges; protect the endgrain with tape to avoid finishing. Holes cannot be placed until final assembly.

# Table Assembly Detail

Assembly as viewed from below the table



-  - pivot hinge
-  - turned end of handle
-  - sloped end of runner



# Hardware Detail

3/4" Diameter Roto Hinges      \$6.79 Pair

From Rockler

-Or –

-Use 5/8" dowels

-Brass Plated Square Drive Screws



Part# 36269

# Wood Material List

A	B	C	D	E	F
WOOD PART	quantity	width	length	thickness	
handle	1	7/8	19	7/8	
top	2	11	30	3/4	
legs	4	2	28 3/4	3/4	
runners	4	2	15	3/4	
outside stetcher	1	2 1/4	22*	1/2	
inside stretcher	1	1 3/4	17*	3/4	
* stretcher lengths determined at assembly					
MISCELLANEOUS					
3/4 pivot hinges	2 pair	rockler number	36269		
finish					
painters tape to protect areas from finish					
double sided lathe tape to secure wood to templates					
square drive wood screws	8	#8	2	for runners	
square drive wood screws	4	#8	1 1/2	for inside stretcher	
square drive wood screws	4	#8	1	for outside stretcher	

Calculated board feet = 8

Figure at least 10 board feet to allow for waste